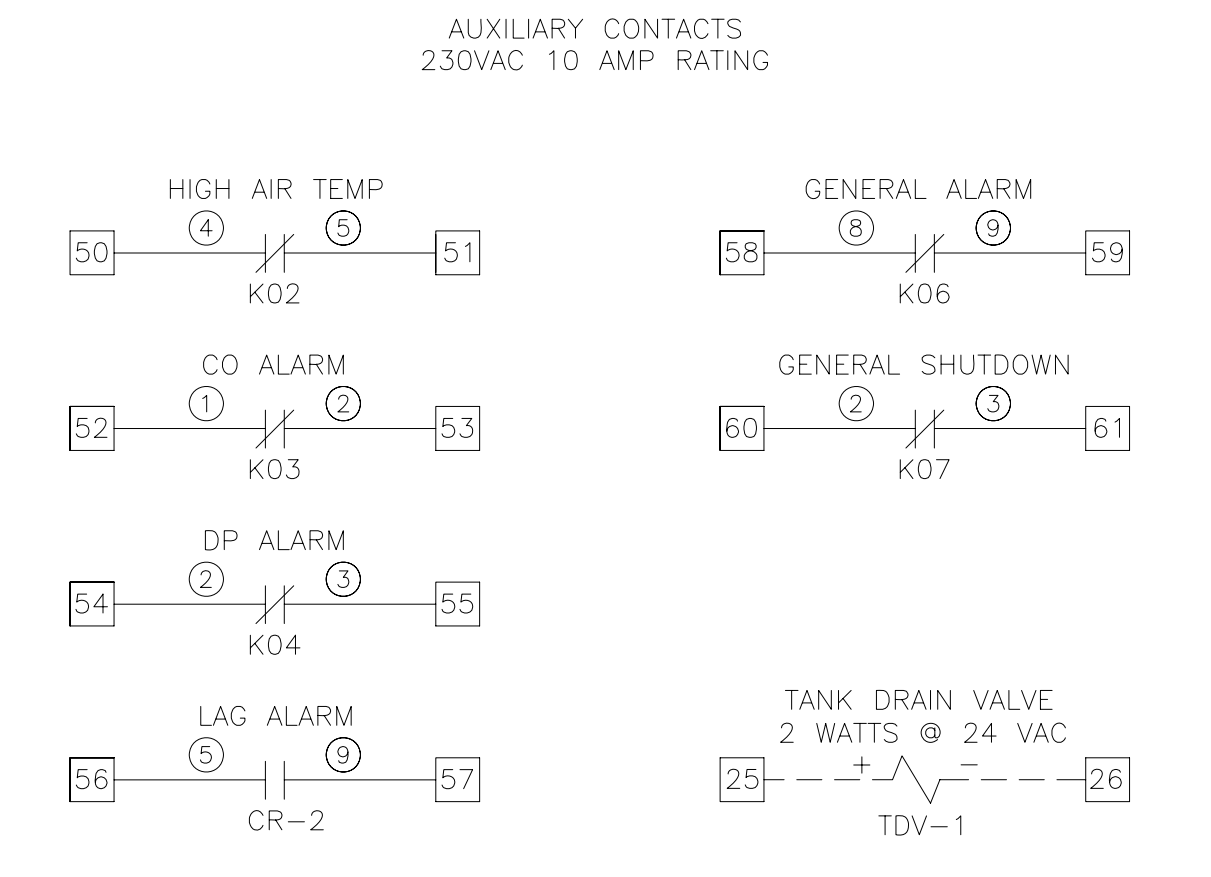
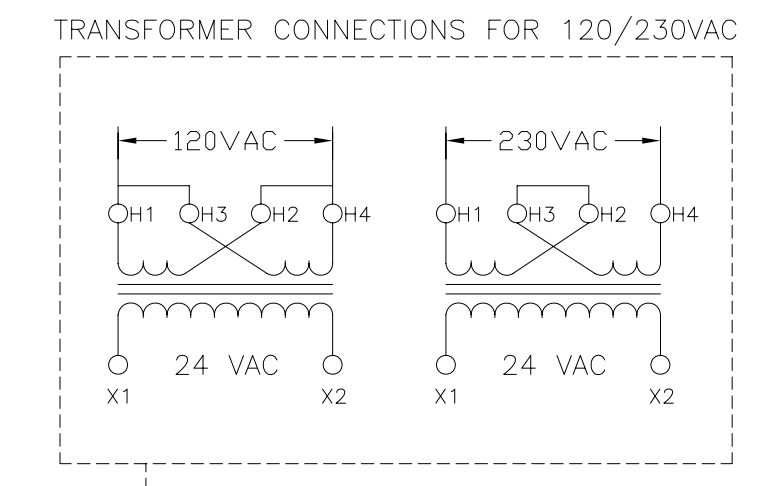
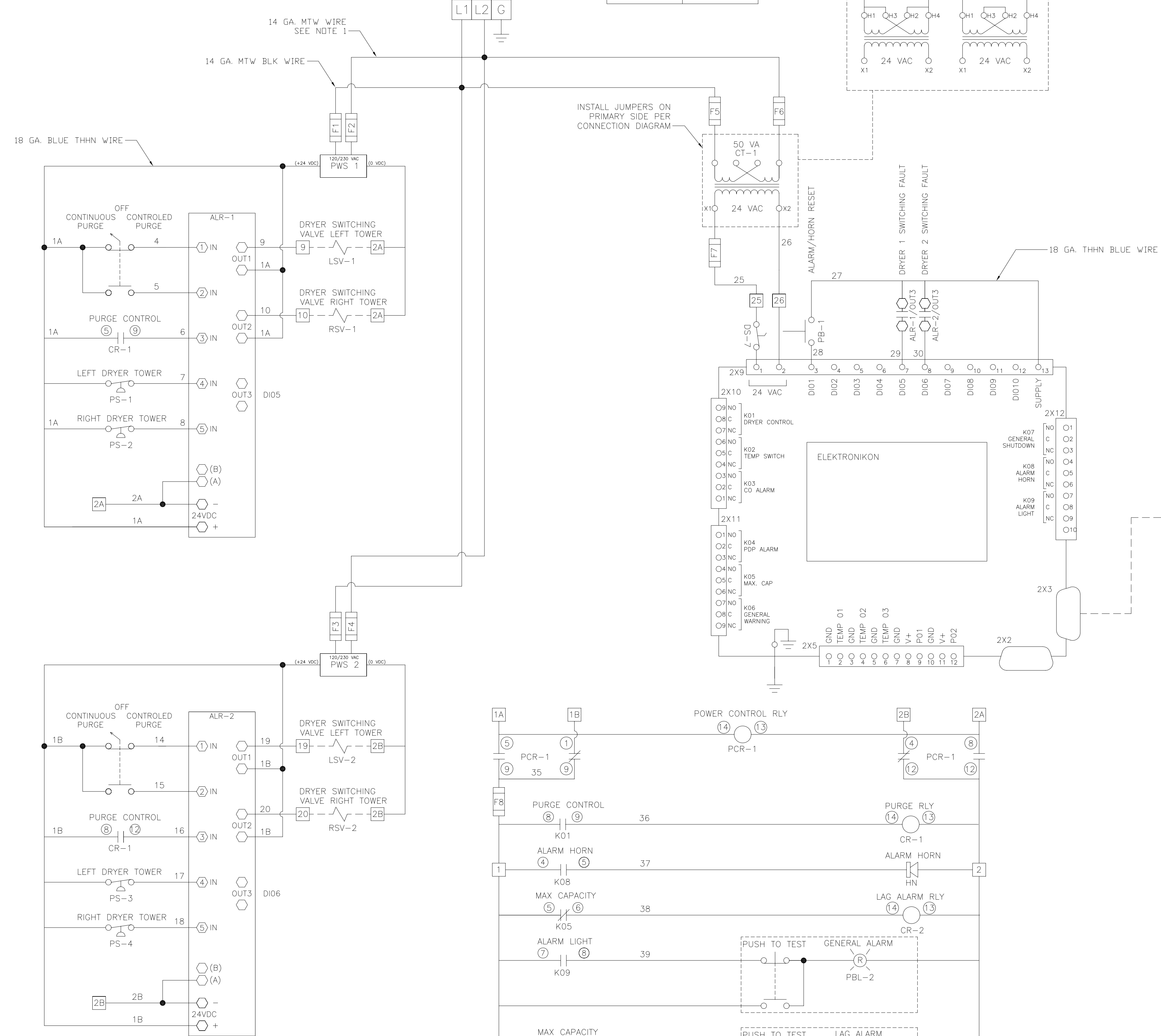


**NOTES:**

1 - CONTROL PANELS USING 115VAC AS THE PRIMARY POWER SOURCE SHOULD WIRE THE (L1) TERMINAL TO LINE VOLTAGE (BLACK WIRE), THE (L2) TERMINAL SHOULD BE WIRE TO THE NEUTRAL CONDUCTOR (WHITE WIRE). IF 230VAC IS USED THEN BOTH L1 AND L2 CONDUCTORS WILL USE BLACK WIRE.

MAIN DISCONNECT AND CIRCUIT PROTECTION PROVIDED BY OTHER  
120/240 VOLTS  
1 Ø  
50/60 HZ

TOTAL SYSTEM FLA	
VOLTAGE	FLA AMPS
120	1.3 AMPS
230	1.1 AMPS

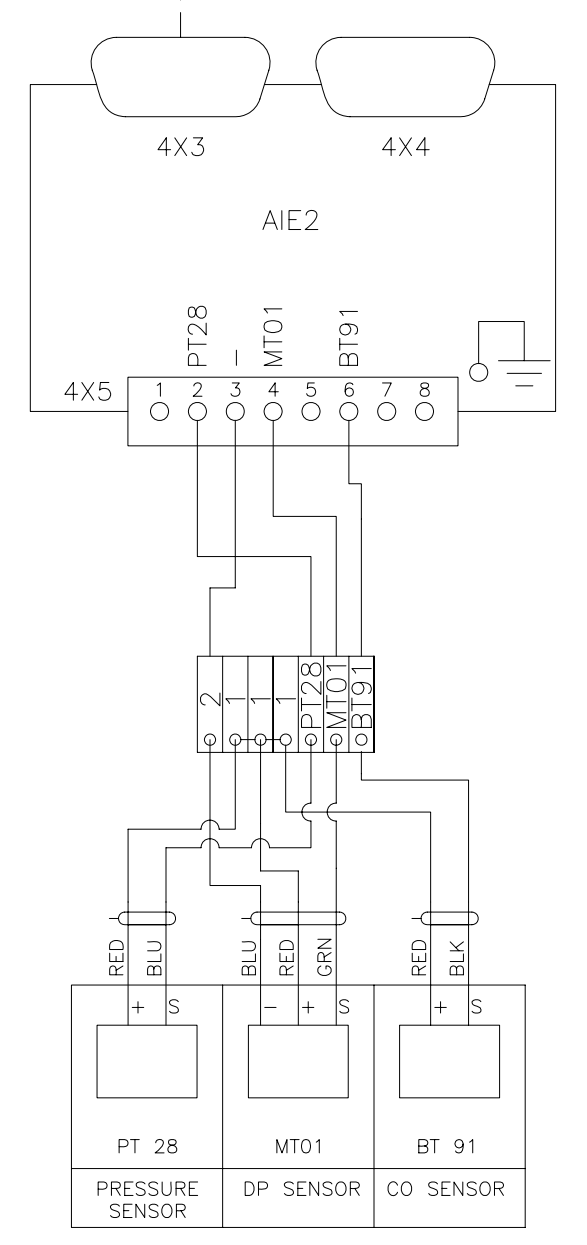
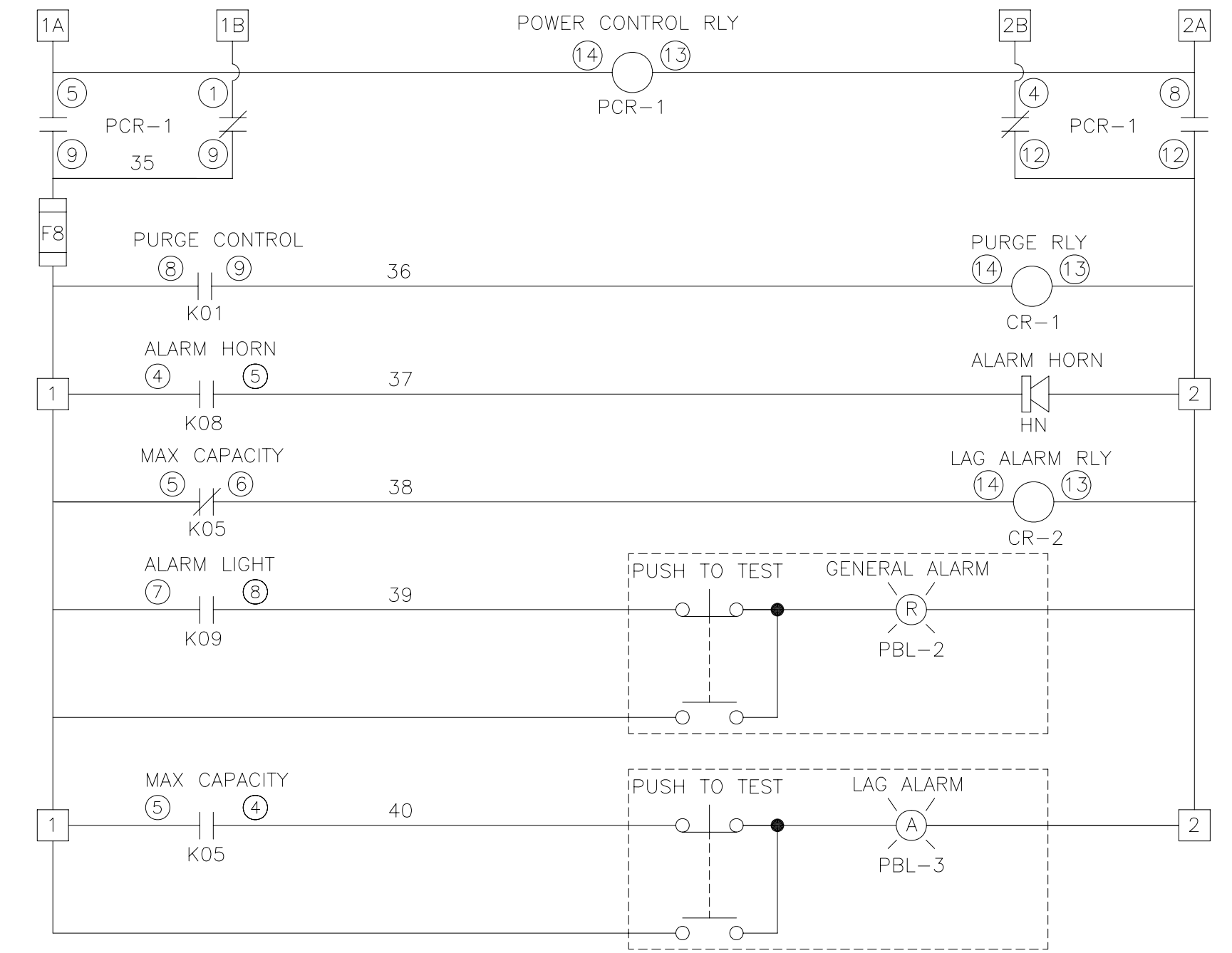


(CR-2 CONTACTS OPEN WITH LAG ALARM)  
(CONTACTS CLOSED W/O LAG ALARM)

**FUSE SELECTION CHART (MAX FUSE SIZES SHOWN)**

FUSE	120V	230V
F1/F2/F3/F4	4.0 AMPS	4.0 AMPS
F5/F6	1.25 AMPS	0.6 AMPS
F7	3.5 AMP	3.5 AMP
F8	0.5 AMP	0.5 AMP

F1/F2/F3/F4/F8 ARE LITTLEFUSE 239 SERIES 250V TYPE  
F5/F6 ARE LITTLEFUSE KLDK 600V TYPE  
F7 ARE LITTLEFUSE FLM 250V TYPE



TITLE: ES-6 CENTRAL CONTROLLER W/ DRYERS CD 100/300 DRYERS 120/240/1/50/60		
DRAWN BY: T. HORNBUCKLE	DATE: 4/5/07	This drawing and the information contained therein remain the property of BeaconMedes and may not be used for other than the purpose for which it is loaned without the expressed written permission from BeaconMedes Engineering.
CHECKED BY:	DATE:	
REVISED BY: J. HOLLAND	DATE: 07/22/08	DRAWING NO. DIA 02 965
SCALE: NTS	D	REV. E