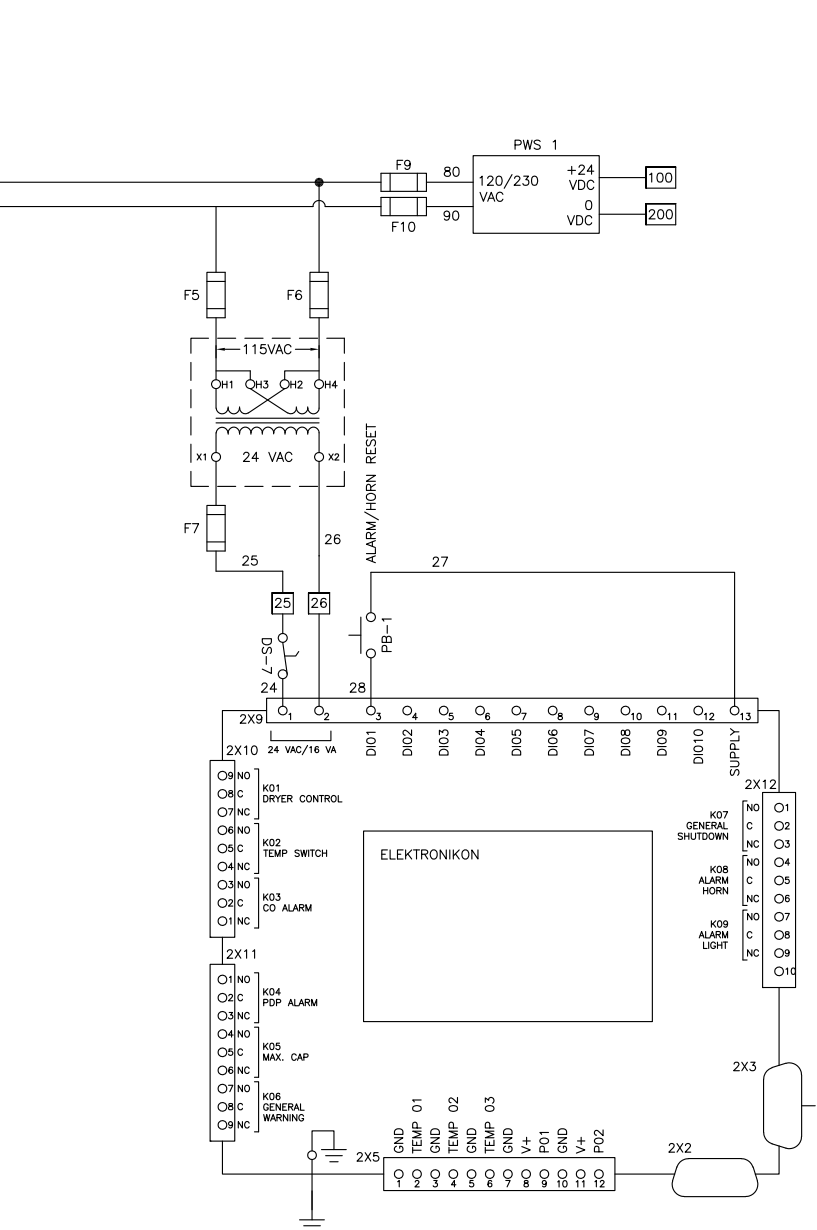
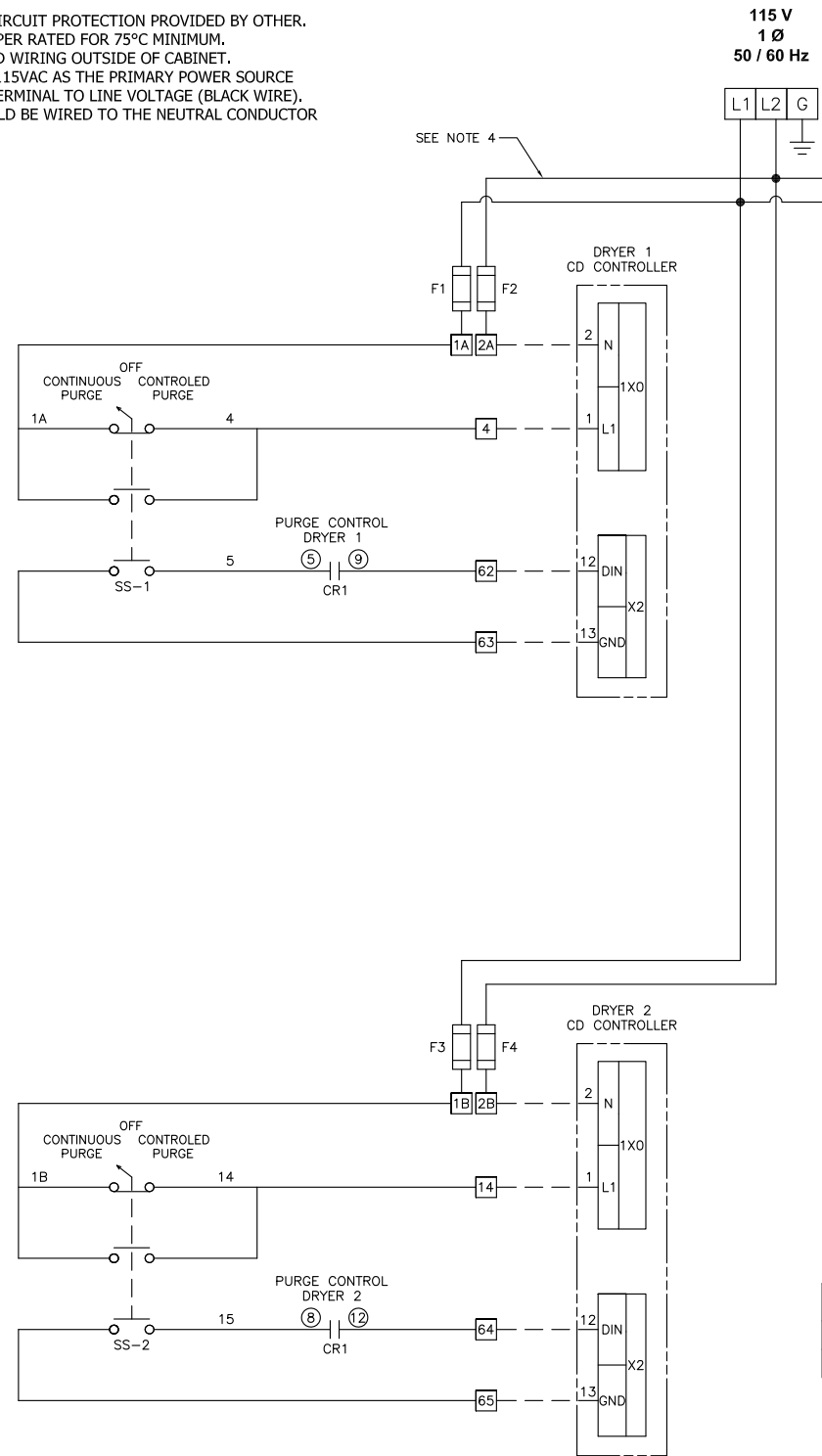


Notes:

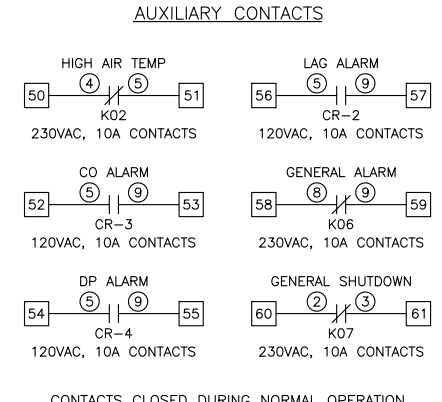
1. MAIN DISCONNECT AND CIRCUIT PROTECTION PROVIDED BY OTHER.
2. FIELD WIRING TO BE COPPER RATED FOR 75°C MINIMUM.
3. ——— INDICATES FIELD WIRING OUTSIDE OF CABINET.
4. CONTROL PANELS USING 115VAC AS THE PRIMARY POWER SOURCE SHOULD WIRE THE (L1) TERMINAL TO LINE VOLTAGE (BLACK WIRE). THE (L2) TERMINAL SHOULD BE WIRED TO THE NEUTRAL CONDUCTOR (WHITE WIRE).



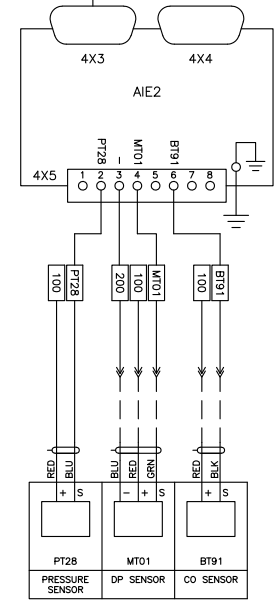
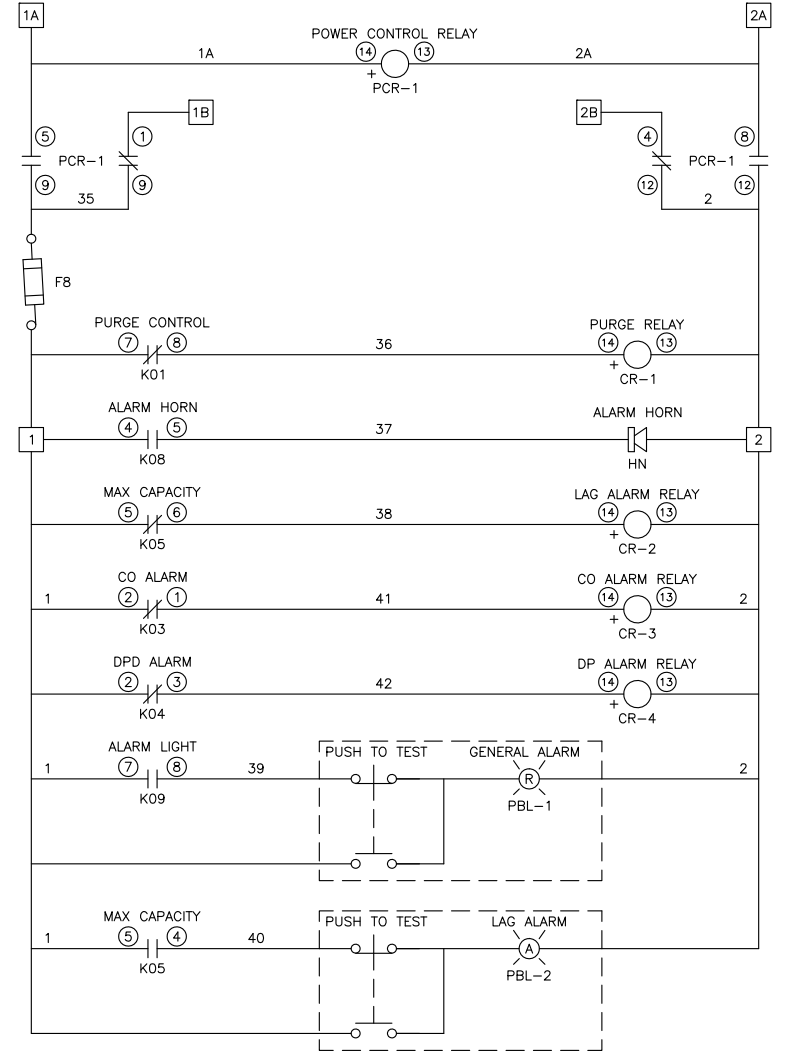
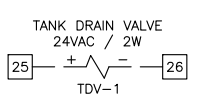
TOTAL SYSTEM FLA	
VOLTAGE	FLA AMPS
115	1.8 AMPS

FUSE SELECTION CHART (MAX FUSE SIZES SHOWN)	
FUSE	115 V
F1/F2/F3/ F4/F9/F10	6.3 AMPS
F5/F6	1.25 AMPS
F7	3.5 AMP
F8	0.5 AMP

F1/F2/F3/F4/F9/F10 ARE LITTELFUSE 218 SERIES 250V TYPE
 F5/F6 ARE LITTELFUSE KLDK 600V TYPE
 F7 IS LITTELFUSE FLM 250V TYPE
 F8 IS LITTELFUSE 239 SERIES 250V TYPE

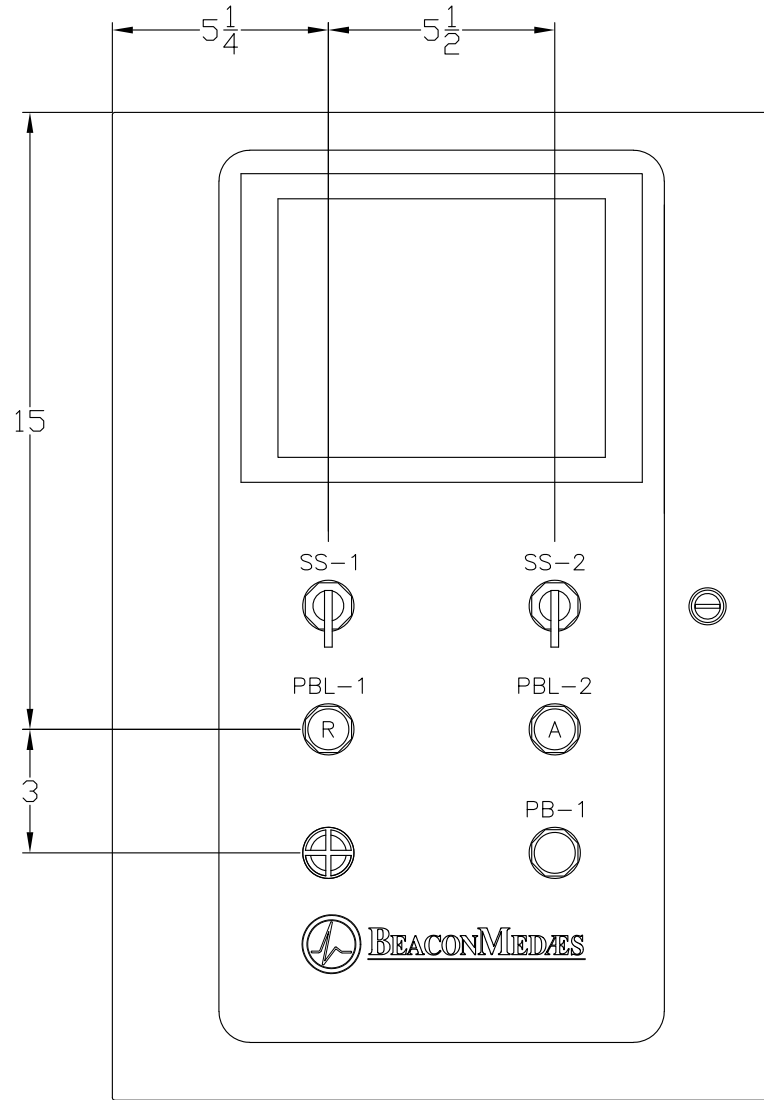


CONTACTS CLOSED DURING NORMAL OPERATION



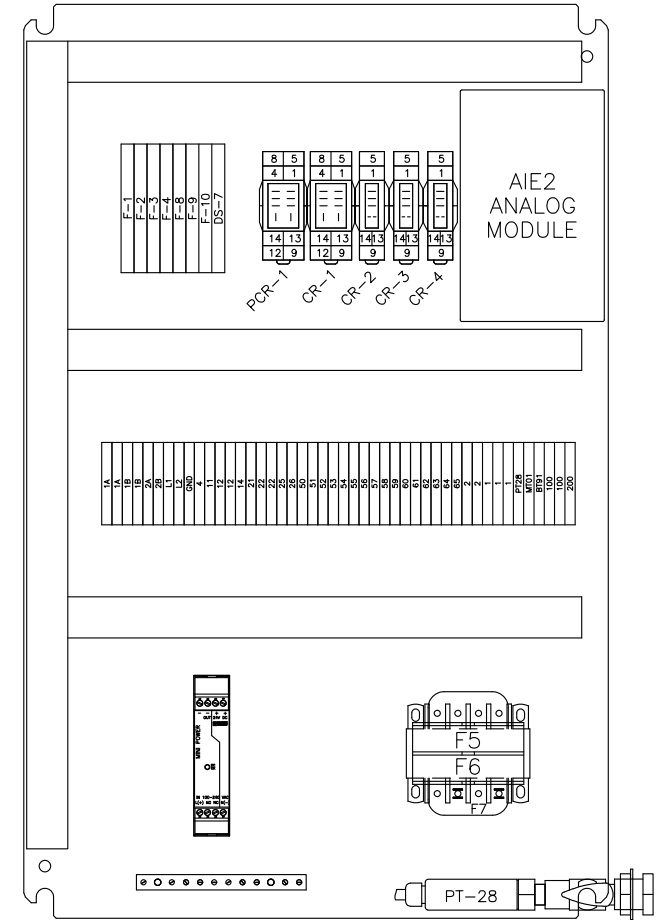
Revised: BKW	Date: 10/23/2017	Drawn: BKW	Date: 08/16/2017
		This drawing and the information contained therein remain the property of BeaconMedas and may not be used for other than the purpose for which it is loaned without the expressed written permission from BeaconMedas Engineering.	
Description: DWG WIRING CONTROL ES-6 W/CD 35/65 DRYERS 115/1/50-60		Part Number: 4107 8563 81	
Sheet 1 of 2		Scale: NTS Rev: 01 DO NOT SCALE THIS DOCUMENT	

#18 AWG BROWN WIRE FOR 24 VDC CONTROL WIRING
 #18 AWG BLUE WIRE FOR 0 VDC CONTROL WIRING
 #14 AWG BLACK / WHITE WIRE FOR INPUT WIRING TO POWER SUPPLIES
 AND TRANSFORMER (SEE NOTE 4 ON DIAGRAM)



F-1
F-2
F-3
F-4
F-8
F-9
F-10
DS-7

1A
1A
1B
1B
2A
2B
L1
L2
GND
4
11
12
12
14
21
22
22
25
26
50
51
52
53
54
55
56
57
58
59
60
61
62
63
64
65
2
2
1
1
1
1
PT28
MT01
BT91
100
100
200



Revised: BKW	Date: 10/23/2017	Drawn: BKW	Date: 08/16/2017
This drawing and the information contained therein remain the property of BeaconMedes and may not be used for other than the purpose for which it is loaned without the expressed written permission from BeaconMedes Engineering.			Scale: NTS
			D
Description: DWG WIRING CONTROL ES-6 W/CD 35/65 DRYERS 115/1/50-60			
Part Number: 4107 8563 81		Dwg: HOP170961	Rev: 01
Sheet 2 of 2		DO NOT SCALE THIS DOCUMENT	