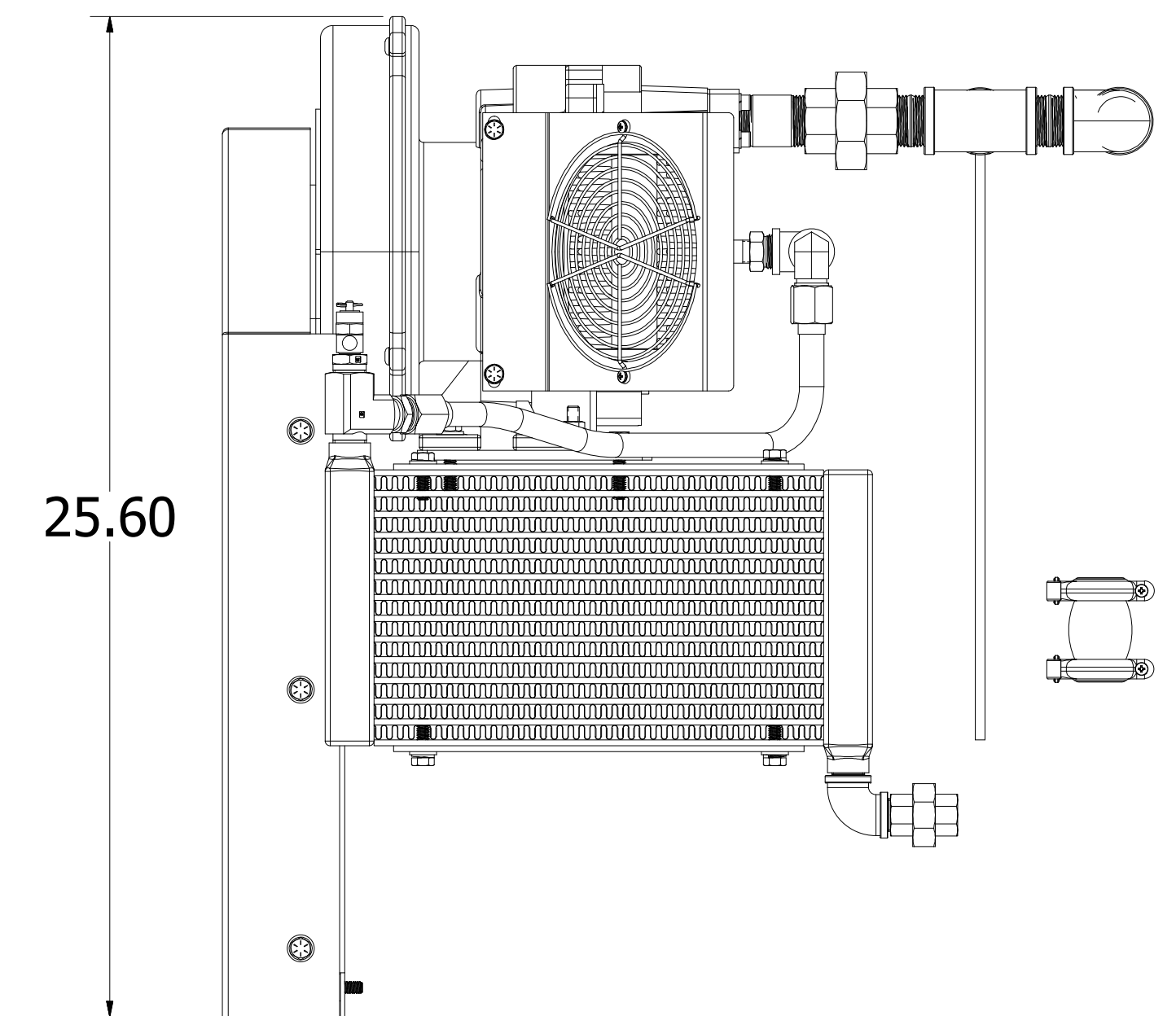
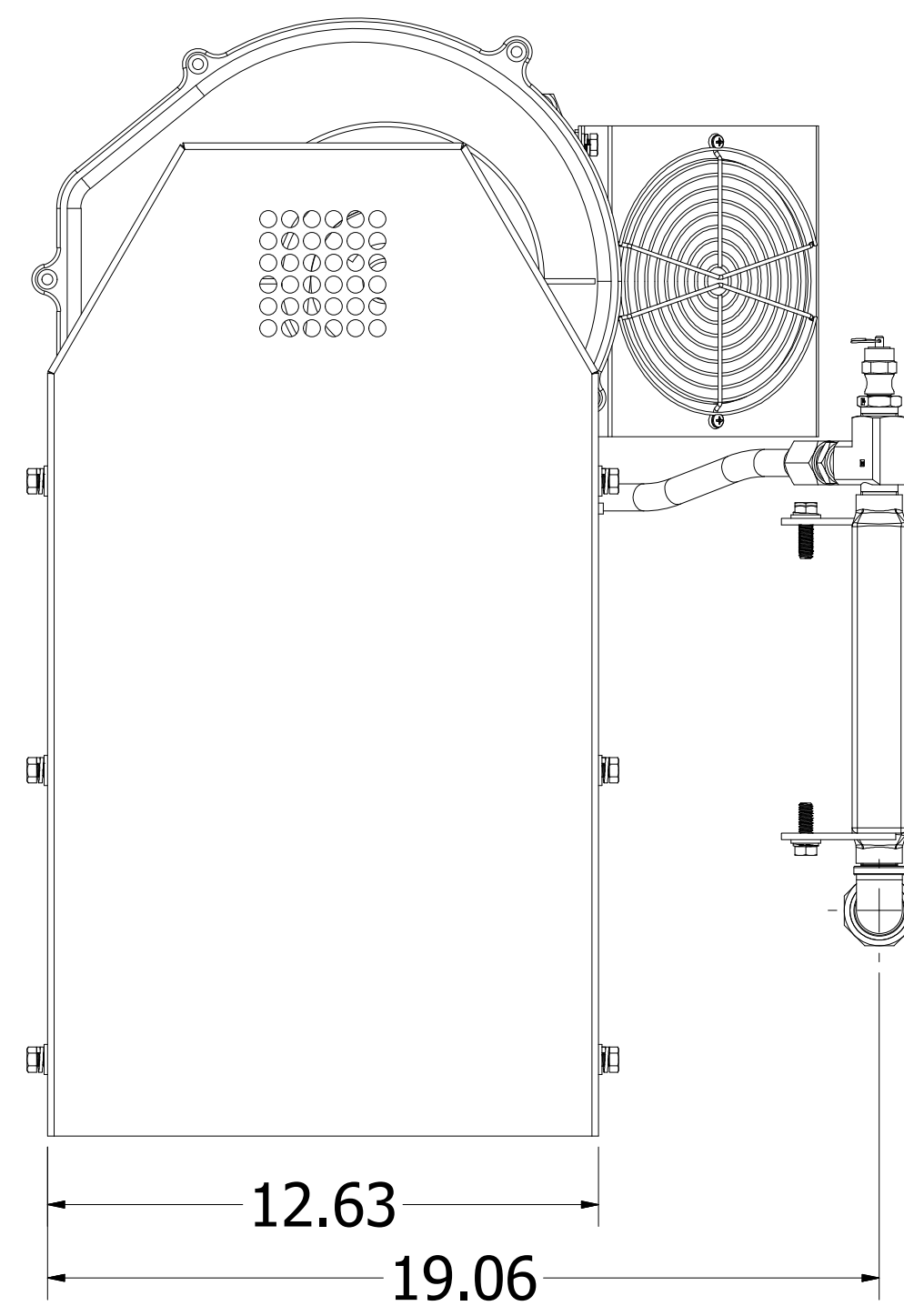
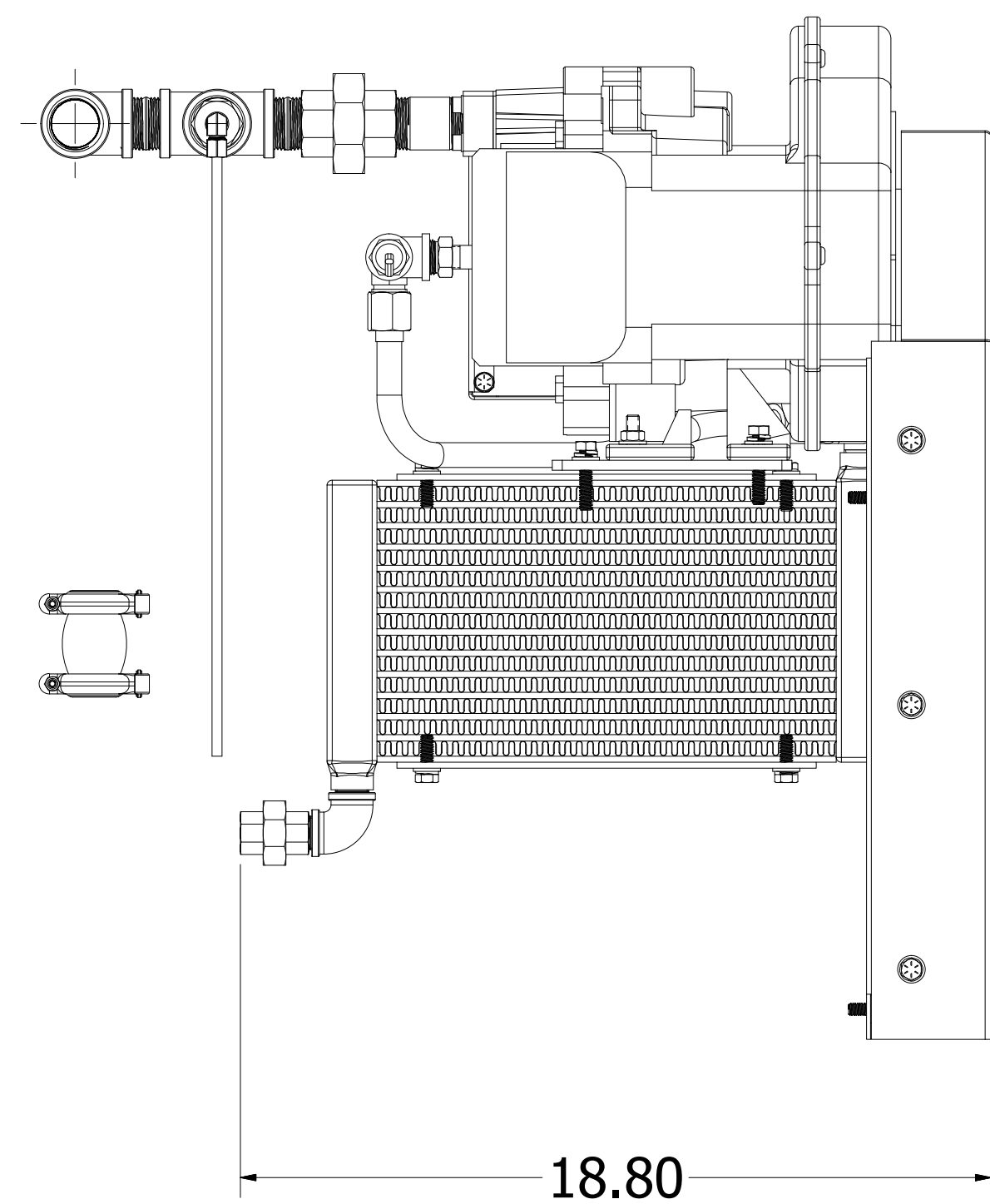
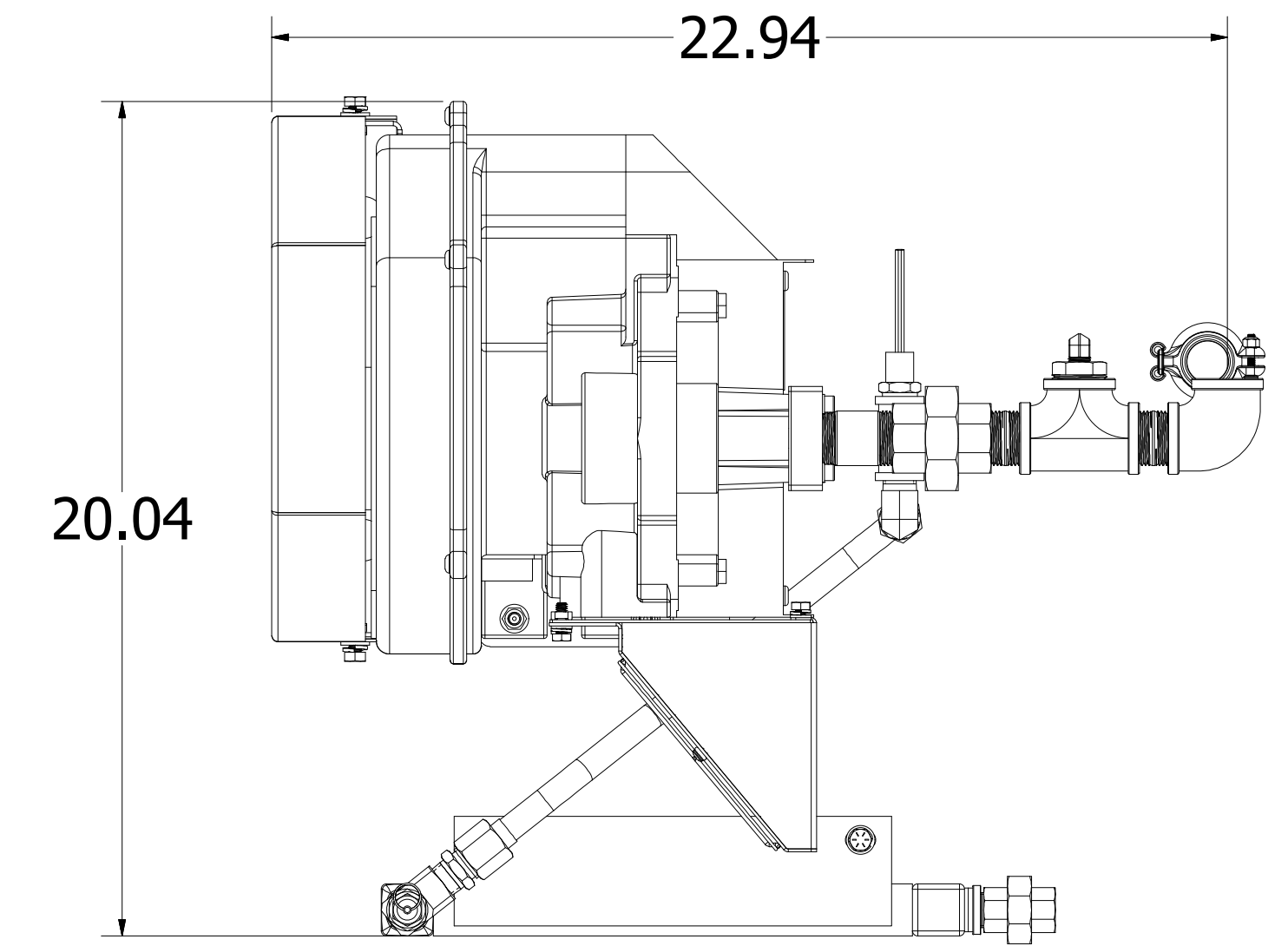
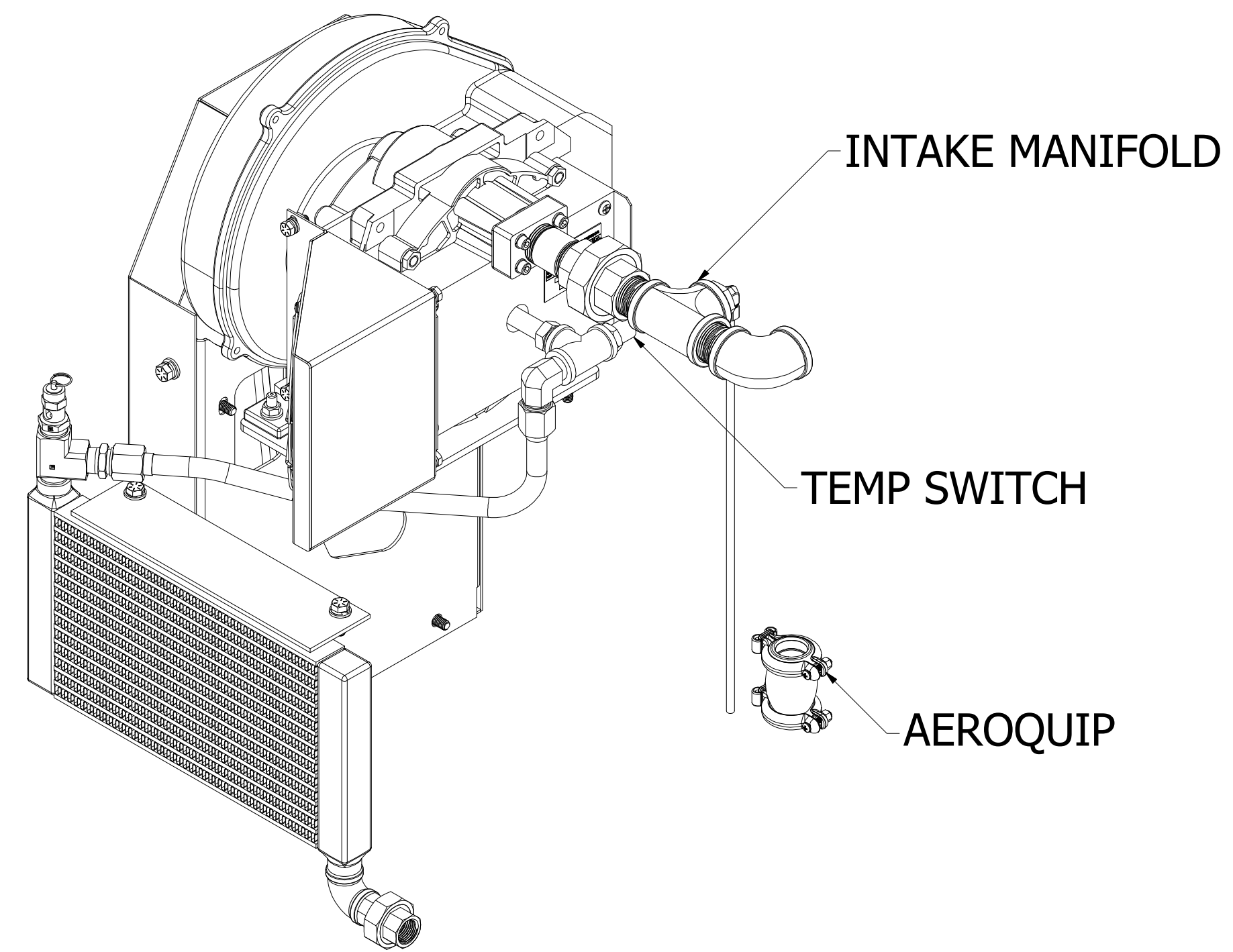
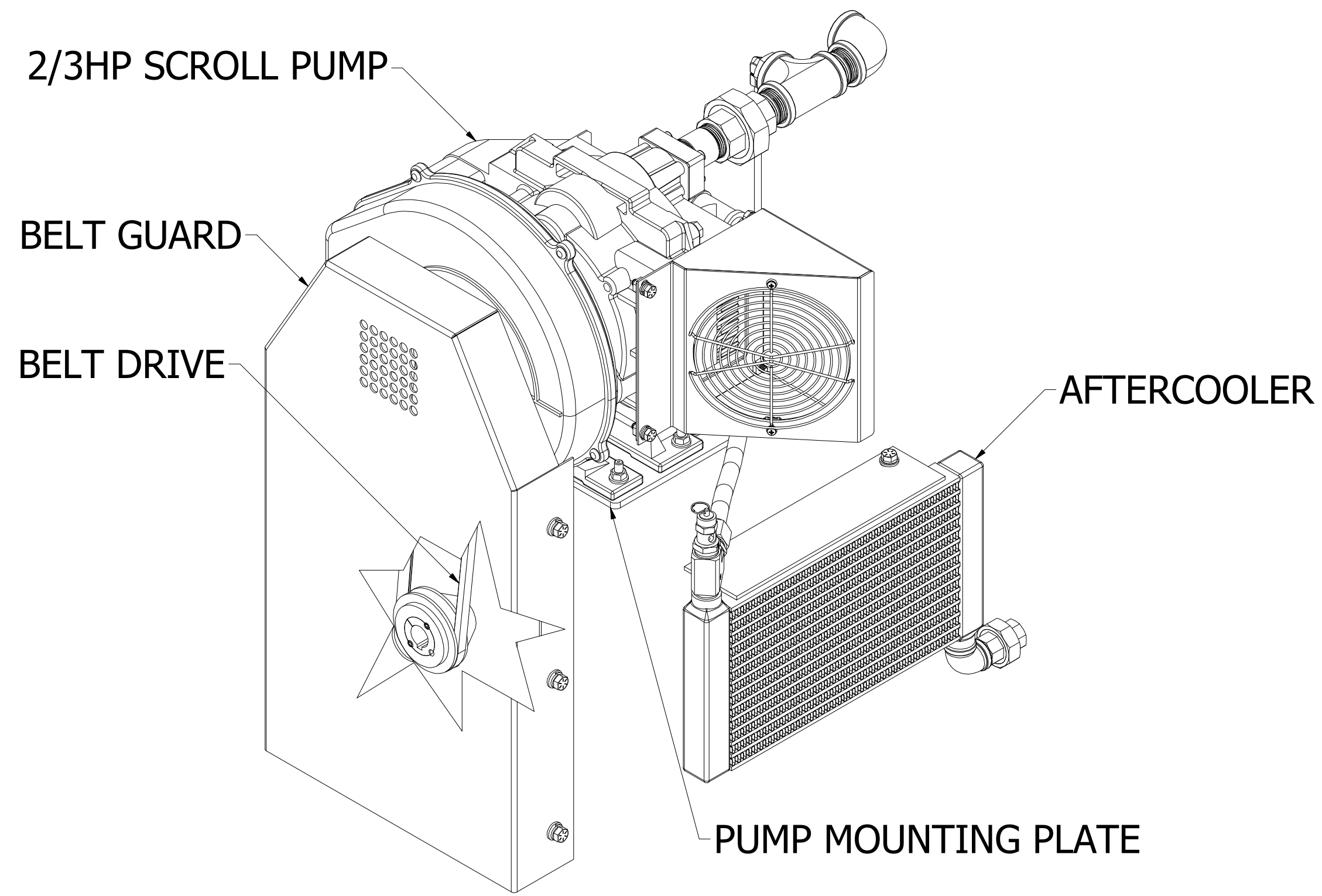


Module Specifications					
Model Number	HP	Module Capacity (50 psig)	Module BTU/HR	Noise Level dB(A)	Module Weight
LPSM-03S-S086X	3	10.4	6745	69	75



Revised:	Date:	Drawn: usnb	Date: 8/11/2016
UNLESS OTHERWISE SPECIFIED ALL DIMENSIONS ARE IN INCHES AND TOLERANCES ARE: XX ± .02 XXX ± .005		Scale: D	
Description: LPSM-03S-S086X		Drawing Number: 4107 8559 56	
GENERAL ASSEMBLY SCRL A SPC 3HP RETRO		DN:	Rev:
Sheet 1 of 1		DO NOT SCALE THIS DOCUMENT	