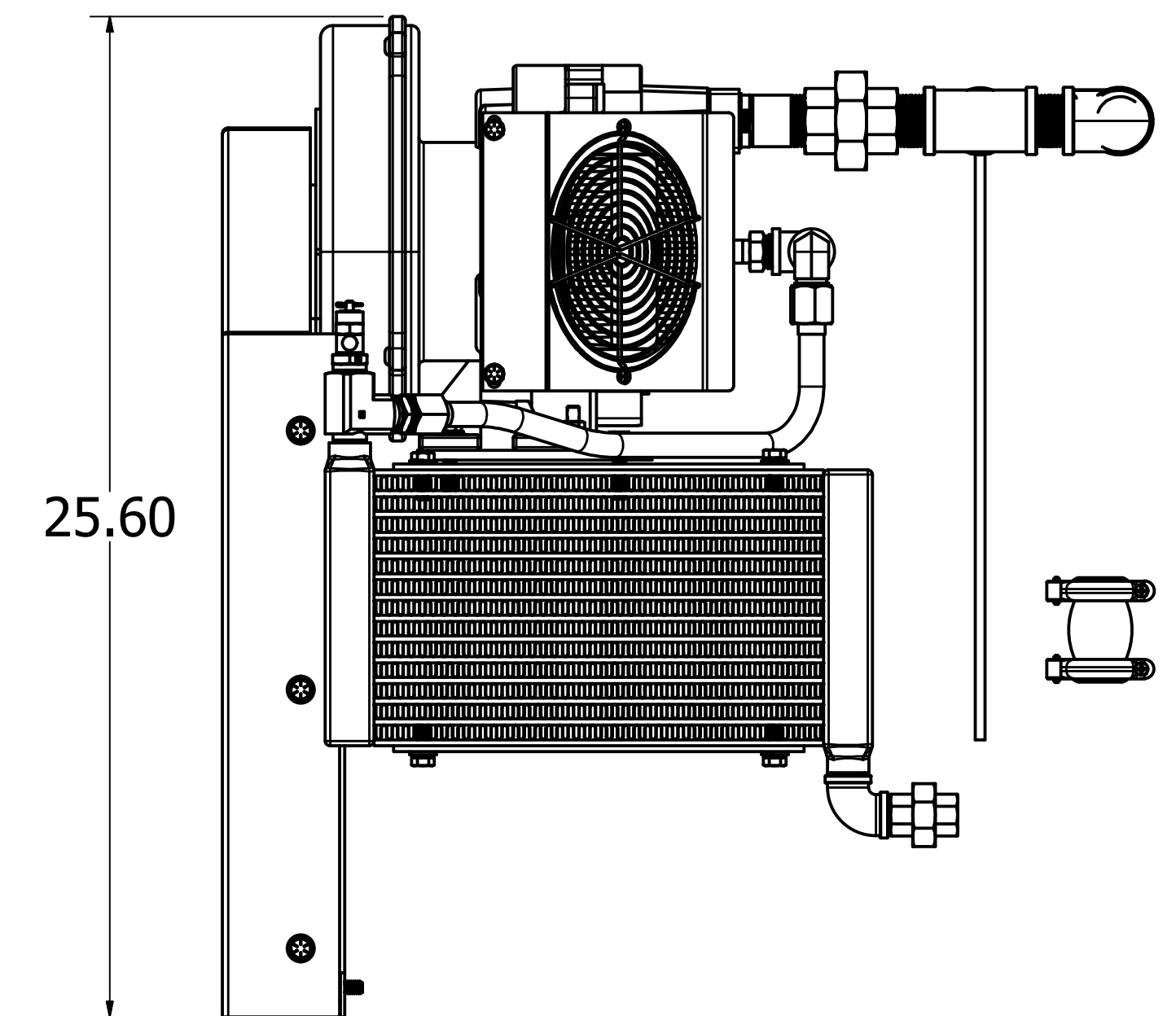
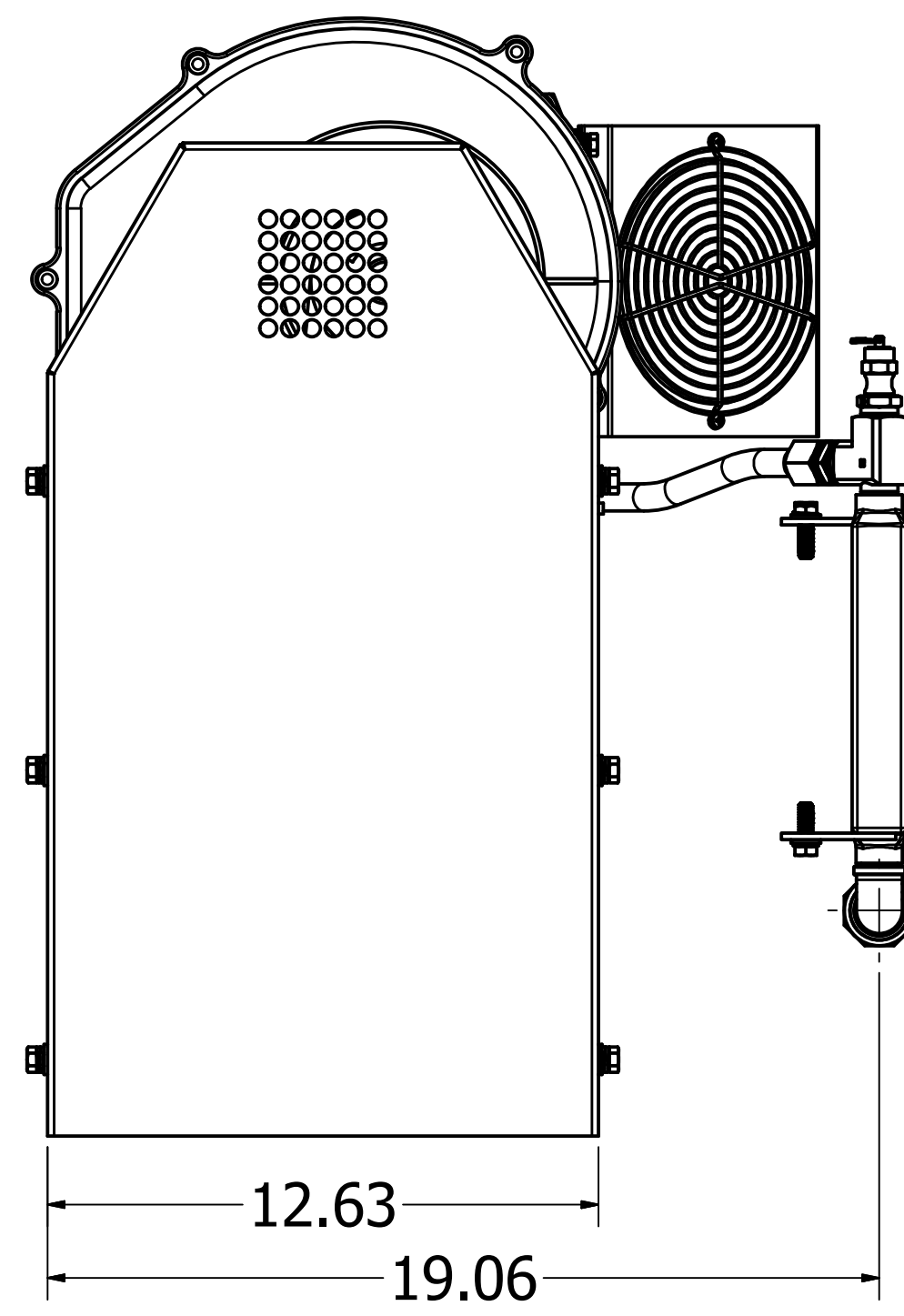
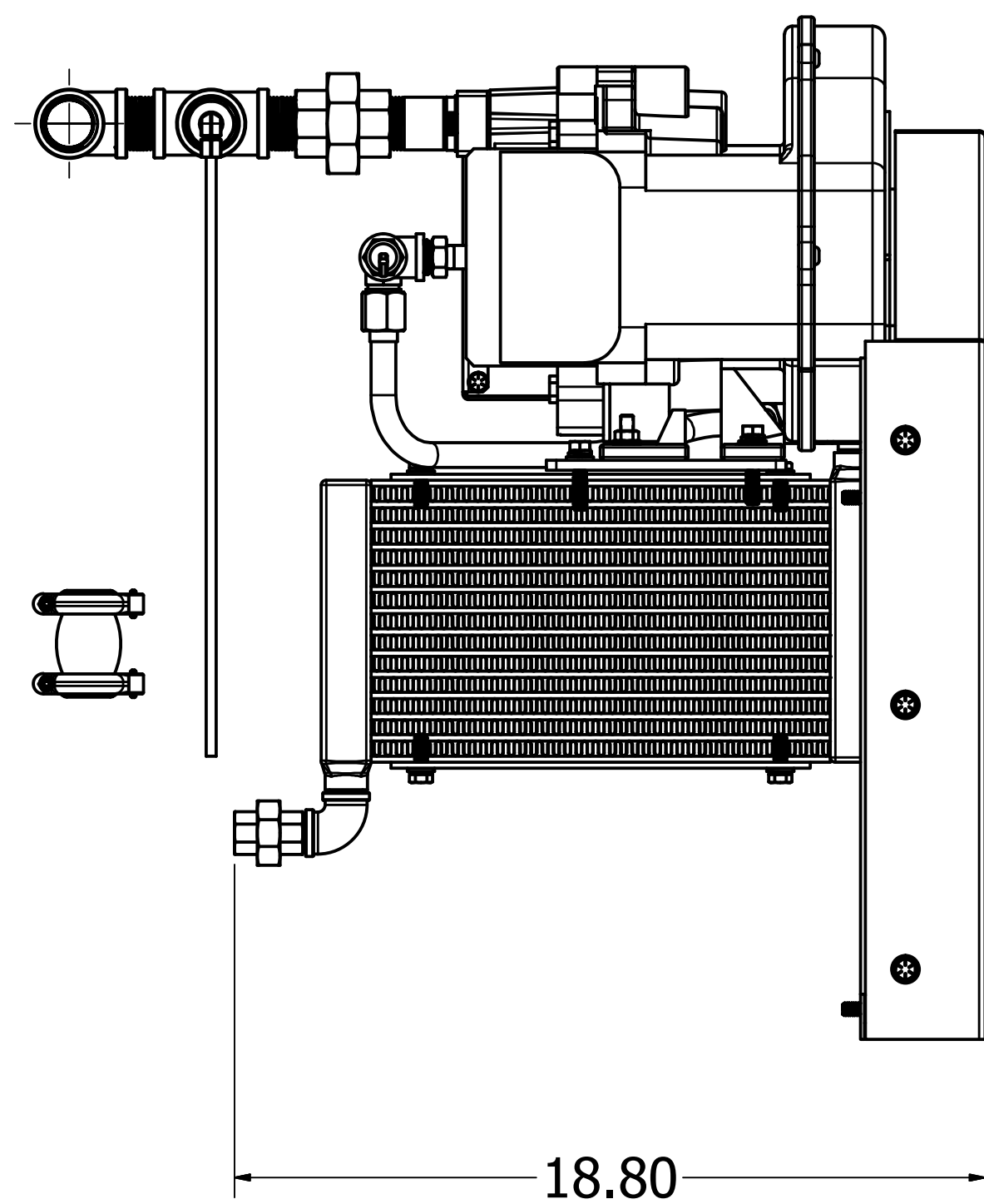
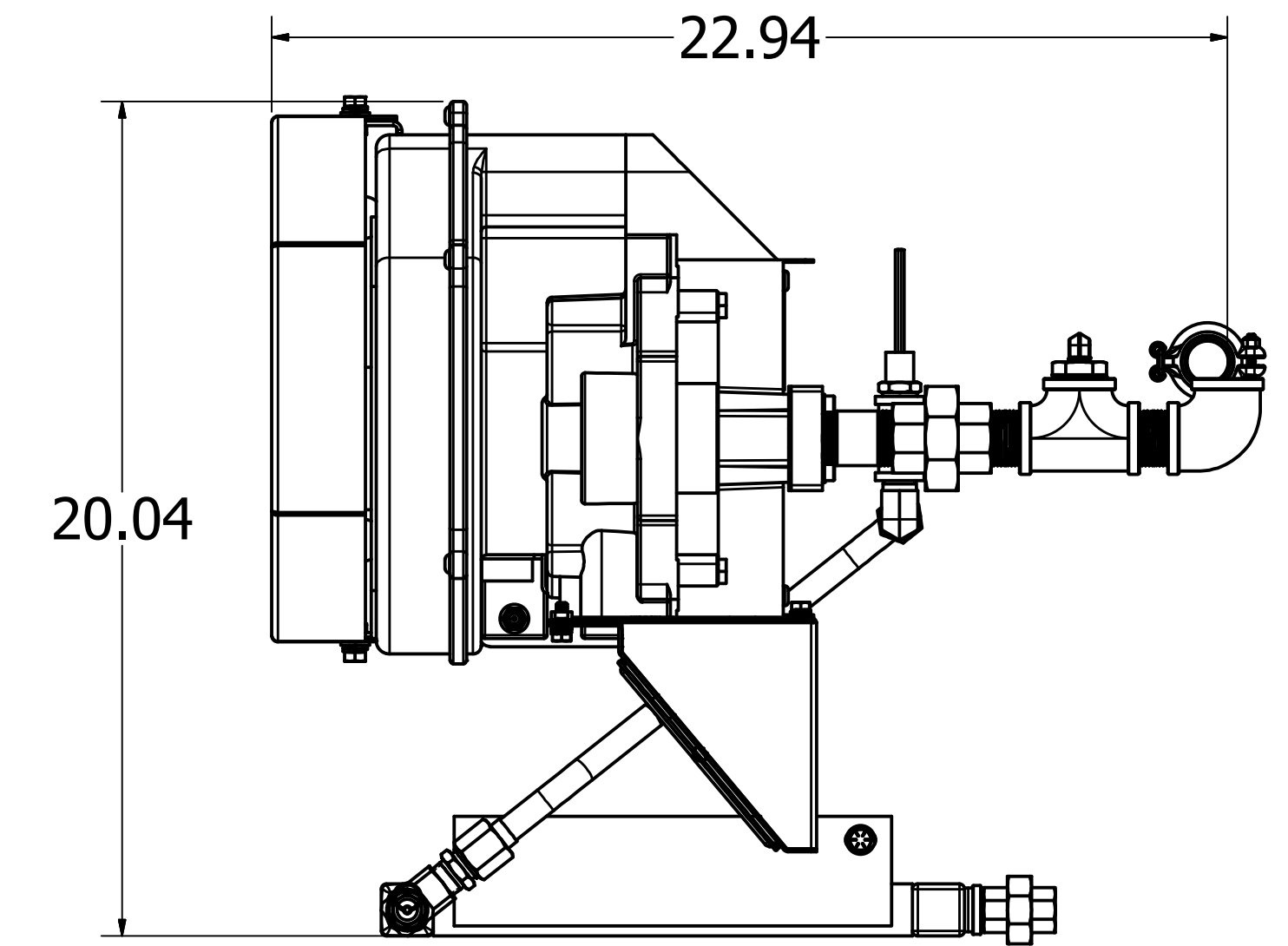
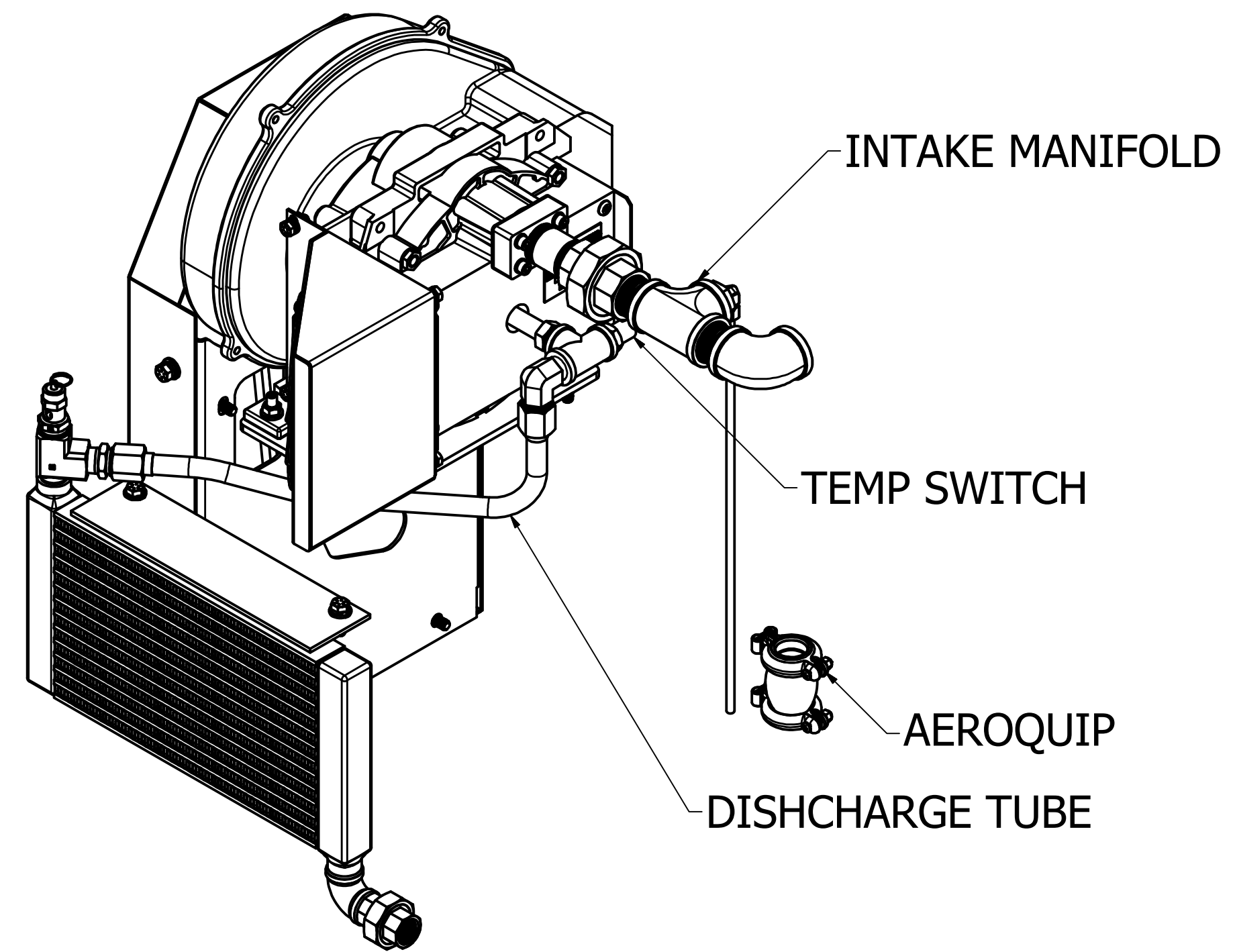
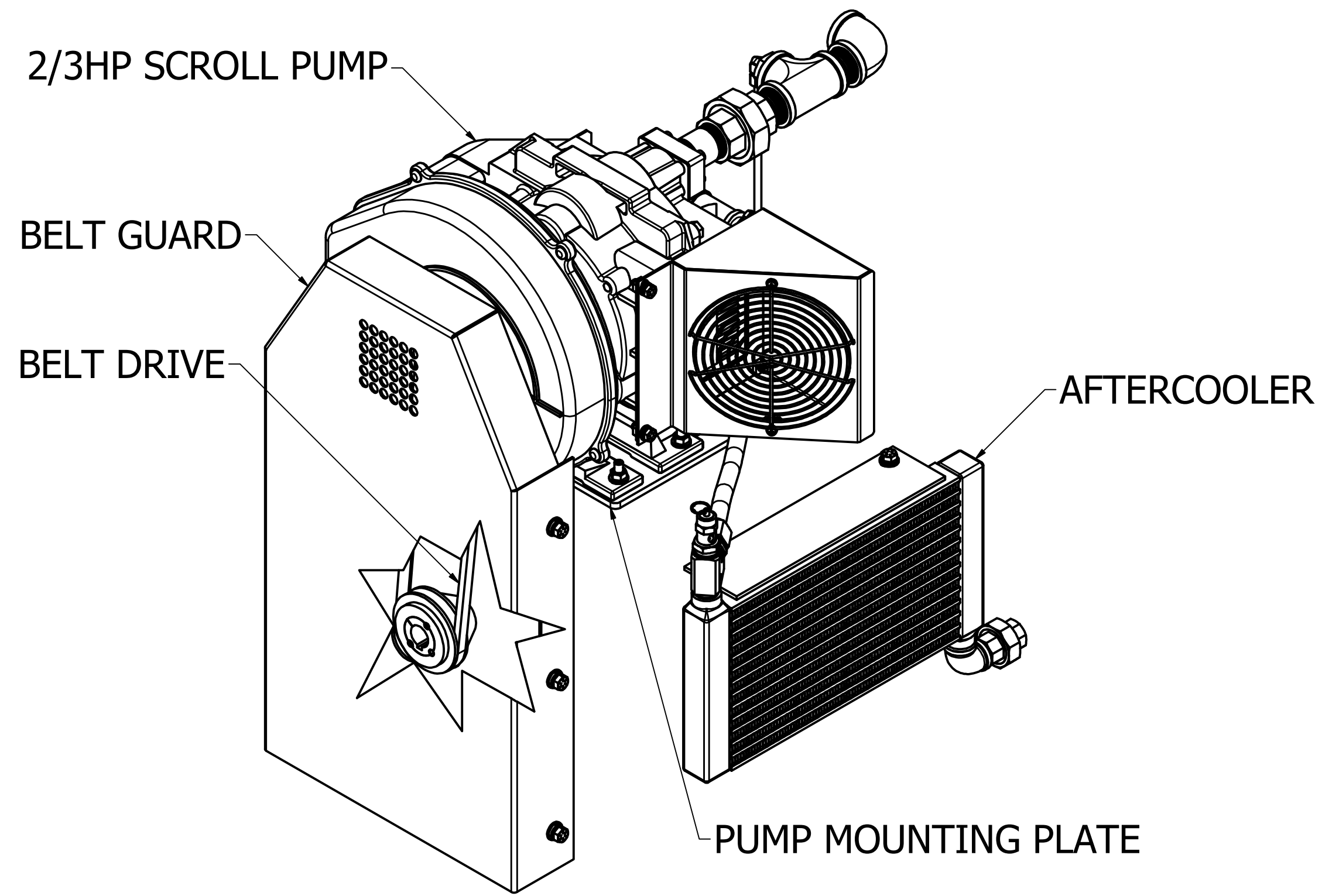


Module Specifications					
Model Number	HP	Module Capacity (50 psig)	Module BTU/HR	Noise Level dB(A)	Module Weight
LPSM-02S-S086X	2	7.0	4761	65	75



Revised:	Date:	Drawn:	Date:
		B BRITTON	9/12/2016
UNLESS OTHERWISE SPECIFIED ALL DIMENSIONS ARE IN INCHES AND TOLERANCES ARE:		Scale: 1/4"	
XX ±.02		XXX ±.015	
XXX ±.005		ANGLES ±.5°	
Description:		Drawing Number:	
GENERAL ASSEMBLY SCRL A SPC 2HP RETRO		4107 8559 55	
Sheet 1 of 1		DO NOT SCALE THIS DOCUMENT	