
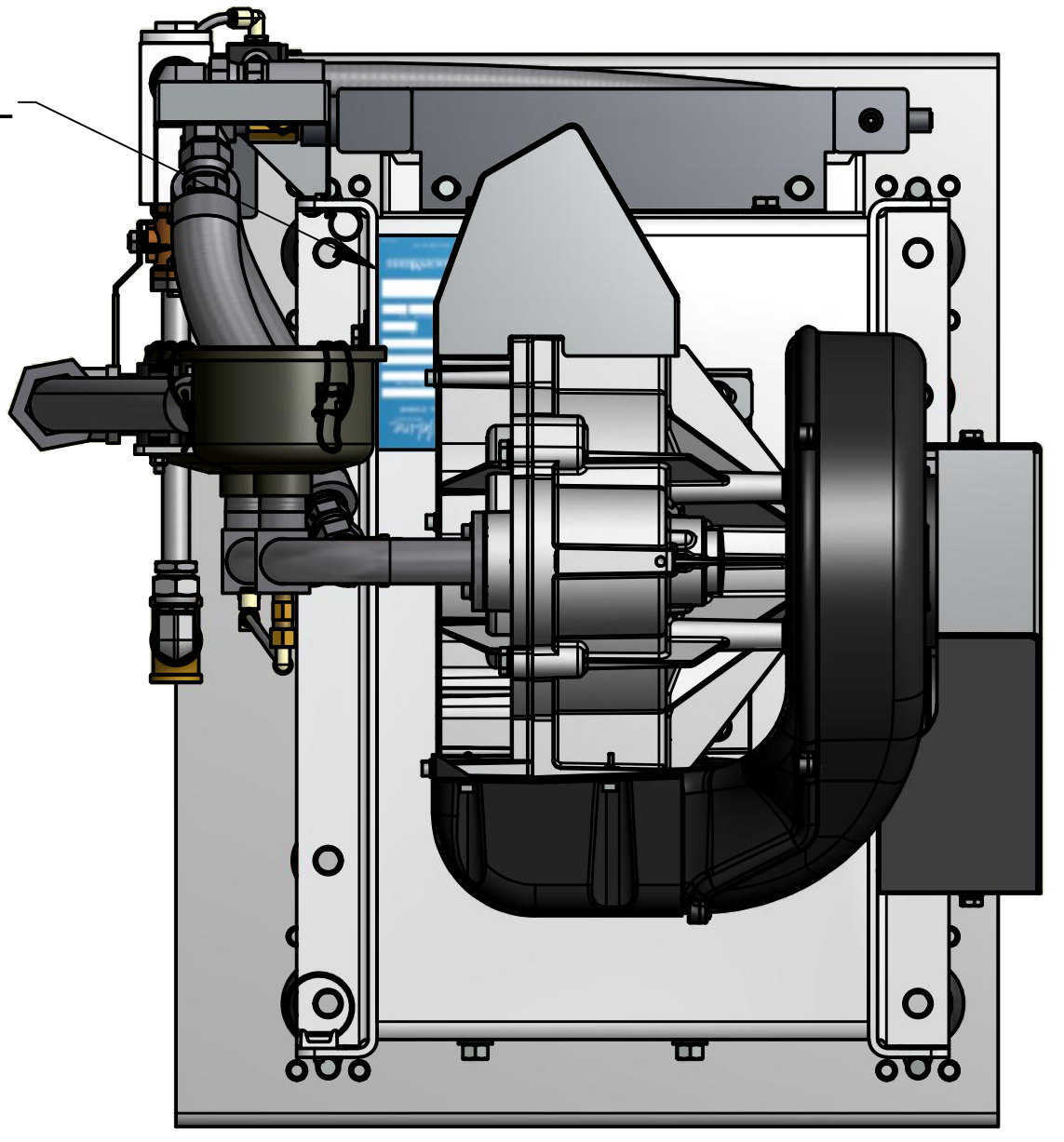


Notes:

1. INLET AND DISCHARGE CONNECTIONS HAVE INTEGRATED FLEX HOSE DESIGN.
2. TOWER WEIGHT: 595 Lbs.
3.  DENOTES CENTER OF GRAVITY.
4. INTAKE MANIFOLD SHOWN FOR TOWER POSITIONS #2, #4 OR #6. REVERSE MANIFOLD ASSEMBLY FOR POSITIONS #1, #3 OR #5.
5. ALLOW A MINIMUM CLEARANCE OF 24" ON ALL SIDES OF THE COMPRESSOR FOR PROPER VENTILATION AND MAINTENANCE.

SYSTEM CONNECTIONS	
ID	DESCRIPTION
I	INLET LOCATION
D	DISCHARGE LOCATION

SERIAL NUMBER DECAL



INTAKE FILTER PER COMPRESSOR (SEE NOTE 4)

LIFTING POINT (4 PLACES)

1-1/4"NPT (MALE)

I20.20

I1.32

I18.04

D12.42

D2.94

3/4"NPT (FEMALE)

1.06

19.88

12.33

4.65

28.84

LIFTING POINT (4 PLACES)


27.65

56.65

16.65

30.00

2.45  
2.25  
4.50  
3/4"NPT PLUGGED  
2.25  
4.50  
Ø0.63 (12 PL)  
20.00

Revised:	Date:	Drawn: BKW	Date: 5/9/2016
		This drawing and the information contained therein remain the property of BeaconMedes and may not be used for other than the purpose for which it is loaned without the expressed written permission from BeaconMedes Engineering.	
Description:		Drawing Number:	Scale: 1:5
GENERAL ASSEMBLY 15 HP RETRO FIT EXPANSION TOWER		4107 8558 98	<b>D</b>
		Rev: 00	
Sheet 1 of 1		DO NOT SCALE THIS DOCUMENT	