

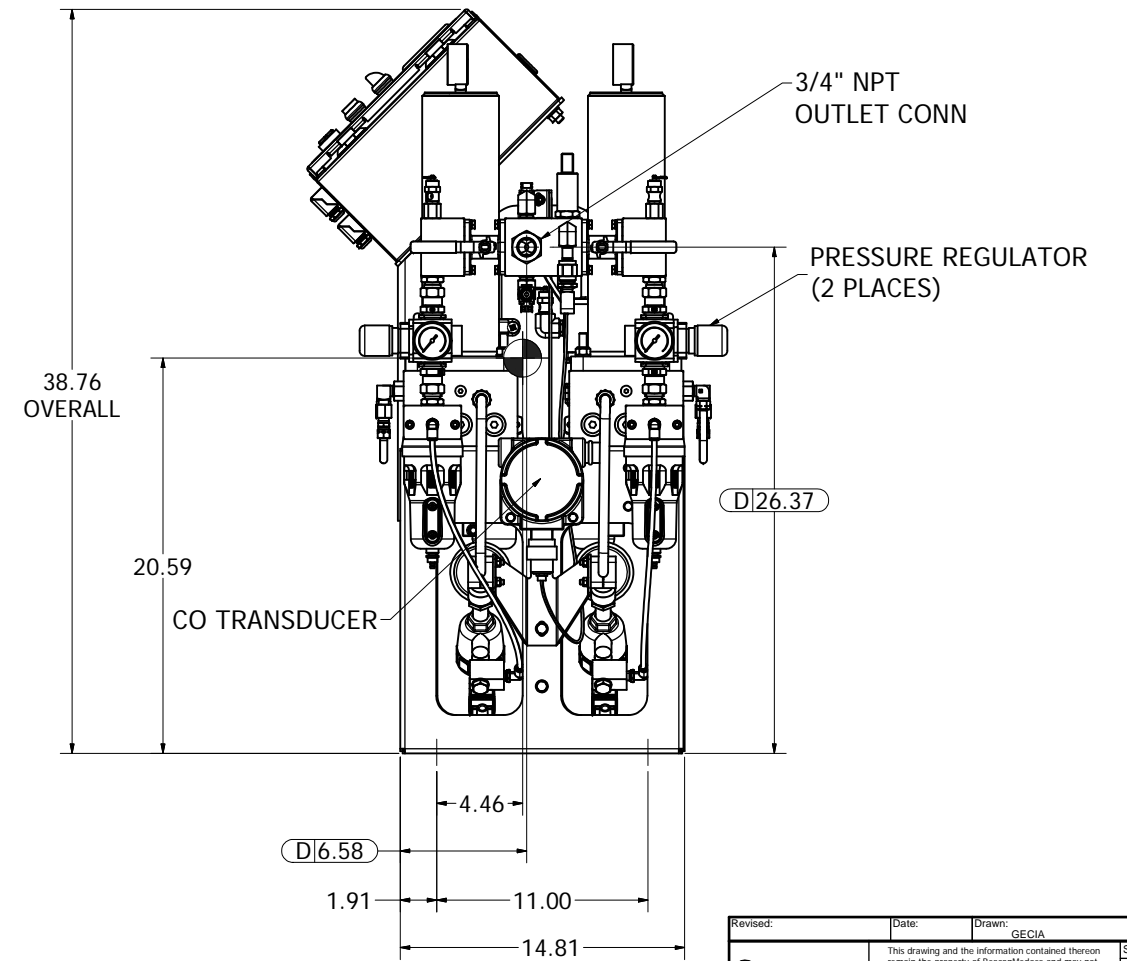
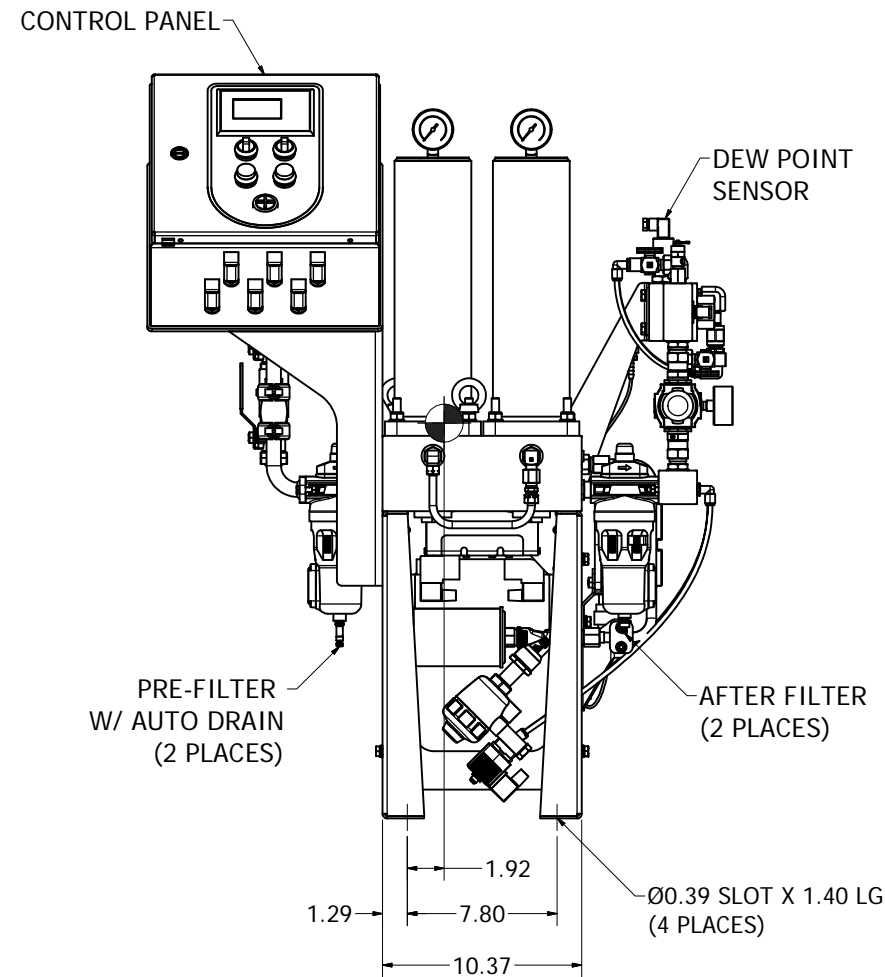
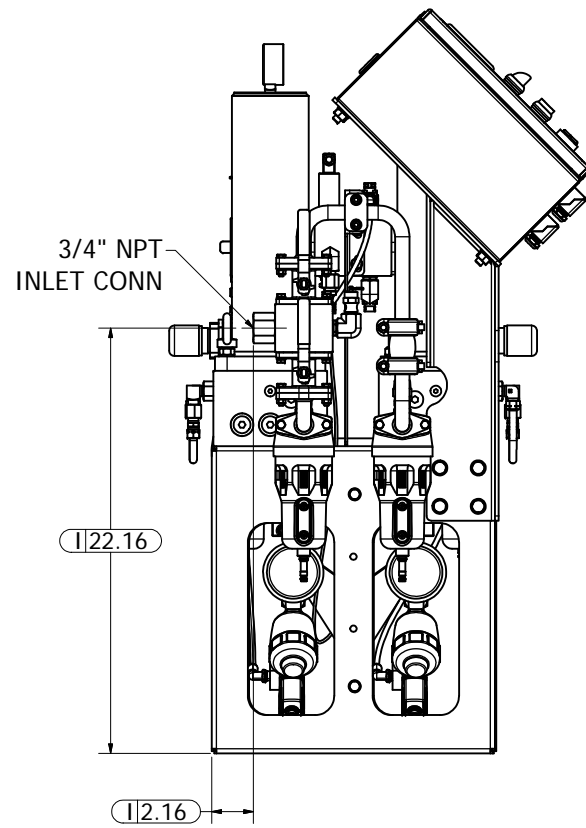
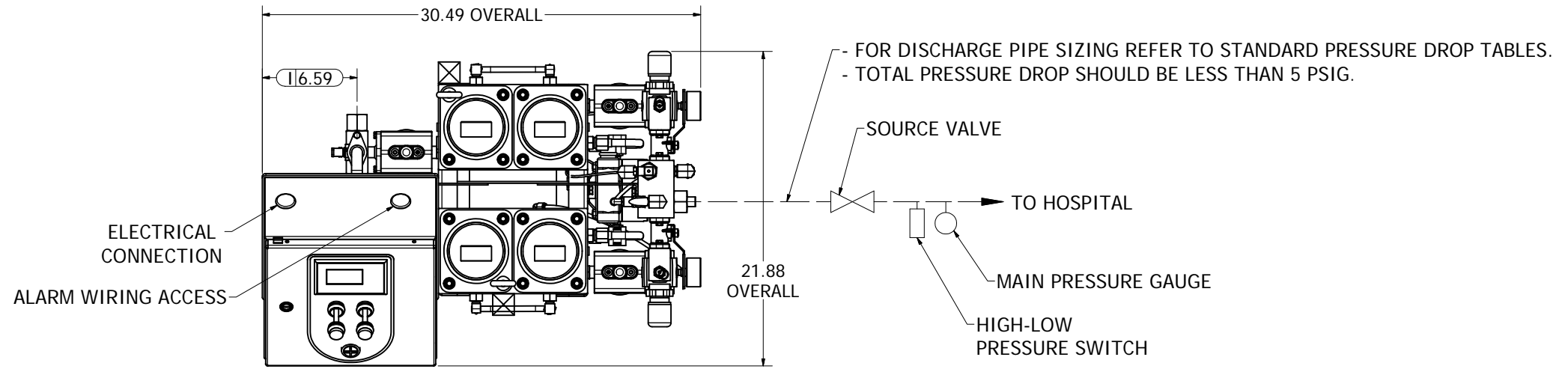
MODEL: LDD035D-DRC WEIGHT: 154 lbs

INLET FLOW: 27 SCFM @ 75 PSIG  
 35 SCFM @ 100 PSIG  
 (INLET FLOW IS NFPA CAPACITY)

**OPERATING CONDITIONS**

1. ELECTRICAL: 110VAC/1PH/50-60HZ 1.2A  
 230VAC/1PH/50-60HZ 0.6A
2. MINIMUM WORKING PRESSURE: 60 PSIG
3. MAXIMUM WORKING PRESSURE: 135 PSIG
4. MAXIMUM INLET TEMPERATURE: 110° F
5. ☒ INDICATES LIFTING POINTS
6. DRYER TO BE INSTALLED DOWNSTREAM OF RECEIVER
7. NOT RECOMMENDED FOR LIQUID RING APPLICATIONS

| SYSTEM CONNECTIONS |                    |
|--------------------|--------------------|
| ID                 | DESCRIPTION        |
| I                  | INLET LOCATION     |
| D                  | DISCHARGE LOCATION |



|   |       |  |                           |
|---|-------|--|---------------------------|
| Revised:  | Date: | Drawn: GE CIA  | Date: 4/17/2013           |
|   |       | This drawing and the information contained therein remain the property of BeaconMedes and may not be used for other than the purpose for which it is loaned without the expressed written permission from BeaconMedes Engineering. |                           |
| Description:<br>DPX Desiccant Dryer w/Dewpt, CO & Reg, 35 CFM |       | Drawing Number:<br>4107 8540 33  | Scale:<br>1:5<br><b>D</b> |
| Sheet 1 of 1  |       | DN:<br>HOP120899   | Rev:<br>00                |
| DO NOT SCALE THIS DOCUMENT                                    |       |  |                           |